

Ceramic Collection

HL/LL WC Pan

High Level Flush Pipe Connection Instructions

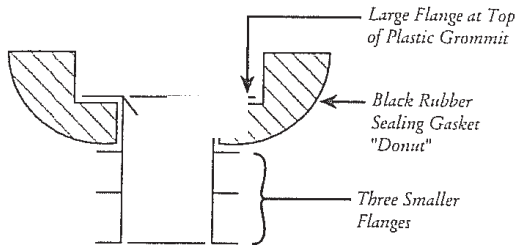
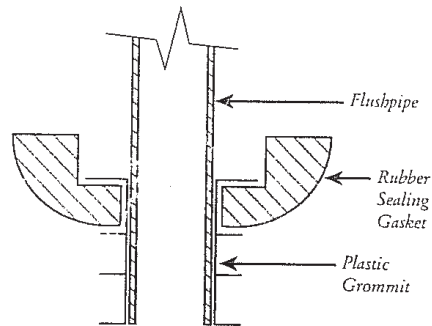


FIG I

- 1 Assemble the translucent plastic (neoprene) grommit with the black donut shaped sealing gasket. Insert the grommit from the flat side of the gasket so that the largest flange at the top of the grommit locates firmly in the rebate on the inside of the gasket. The three smaller diameter flanges on the grommit must all protrude at the underside (curved) of the gasket. (FIG I)

- 2 Insert the end of the flushpipe through the decorative shroud and then through the centre hole in the top of the ceramic cover plate in order to enable fixing to be carried out at the end of the assembly procedure.

- 3 Insert the end of the flushpipe into the plastic grommit from the flat side of the sealing gasket.



Flush Pipe Must Not Extend Beyond End of Plastic Grommit

FIG II

- 4 Do not push the flushpipe beyond the end of the three exposed flanges of the grommit. To do so will adversely affect the flush and may prevent flush from operating. (FIG II)

- 5 Locate the end of the assembled pipe/grommit and gasket into large centre hole in the top of the back platform of the w.c. pan curved side of gasket facing into the hole.

- 6 Secure the cover plate over the pipe and gasket assembly using decorative plated bolts and wing nuts supplied. Care should be taken not to over-tighten the wing nuts. The decorative shroud should be fixed in position on the ceramic cover plate at the base of the pipe. (FIG III)

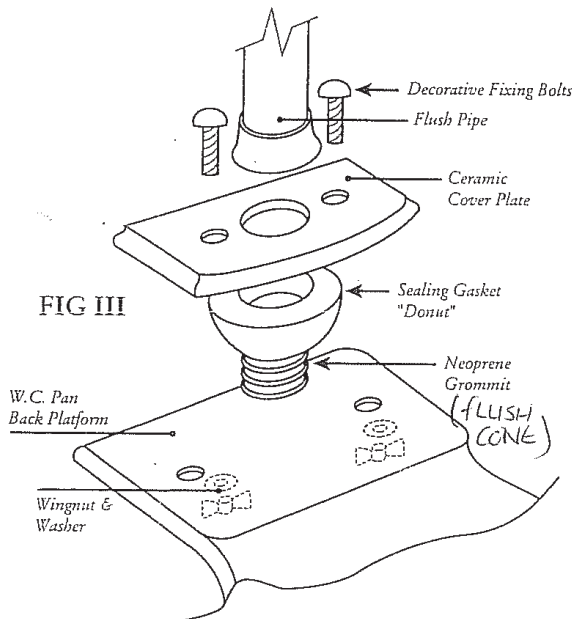


FIG III



PLEASE NOTE: When connecting the pipes it is advised to run a bead of silicon around the inside of the lower pipe to help prevent water leakage.



PLEASE NOTE: When inserting the pipe into the WC Pan ensure not to push the pipe in too far as this will restrict the water flow and could affect the flushing function of the WC Pan



We recommend that all products are purchased with the assistance of a specialist bathroom retailer and always installed by an experienced installer who is a member of a recognized association. All sizes quoted are nominal: items may vary by plus or minus 2% against the figures quoted. When planning installations where dimensions are critical, it is essential that the space allowed for individual items is physically checked. Imperial Bathrooms can not be held liable for any costs associated with items not fitting in any given area. The contents of this statement are based on information correct at the time of publication. We reserve the right to make alterations and changes in product characteristics, fixing, packaging, operation etc at any time without notice.

For further information on fitting guidelines, Terms and Conditions and Warrantee details, please refer to the back of the 2008 Design Guide or contact Imperial's Customer Service team on 0870 60 61 62 3 or sales@imperial-bathrooms.co.uk